

GULLIVER

DEA[®]
move as you like

Automations for collective and industrial sliding gates



Compatible with the App



 **NETLINK**

Safe and user friendly technologies

GULLIVER

GULLIVER is a range of electromechanical operators designed for sliding or cantilever gates, perfect for those applications where an intensive use is requested.

- For **collective** and **industrial installations**
- Intended for **intensive usage**, robust and reliable
- Wide range of irreversible operators, **230V** or **400V**
- Designed for sliding or cantilever gates **up to 2500 Kg**
- Slow-down **management in opening and closing** thanks to the **encoder** control of the operator (using a DE@NET or 400RR control board)
- **Cage-mode management** and **traffic lights management** with **expansion board NET-EXPANSION** (optional and compatible only with DE@NET control boards)
- **Vandal-proof container** for the protection of the operator in locations at risk of tampering

230V ~ operator with control board, limit switches and encoder



COD.	Art.					OTHER CHARACTERISTICS
613300	18NET	2100 kg	●●●	NET230N	✓	<ul style="list-style-type: none"> • Self-locking with limit switches • Speed adjustment and slow down in opening and closing • Motor control by encoder and obstacle detection
613301	18NET/M	2100 kg	●●●	NET230N	✓	<ul style="list-style-type: none"> • Self-locking • Magnetic limit switches • Speed adjustment and slow down in opening and closing • Motor control by encoder and obstacle detection

All models have (IB version excluded): control board and fixing plate to be cemented included

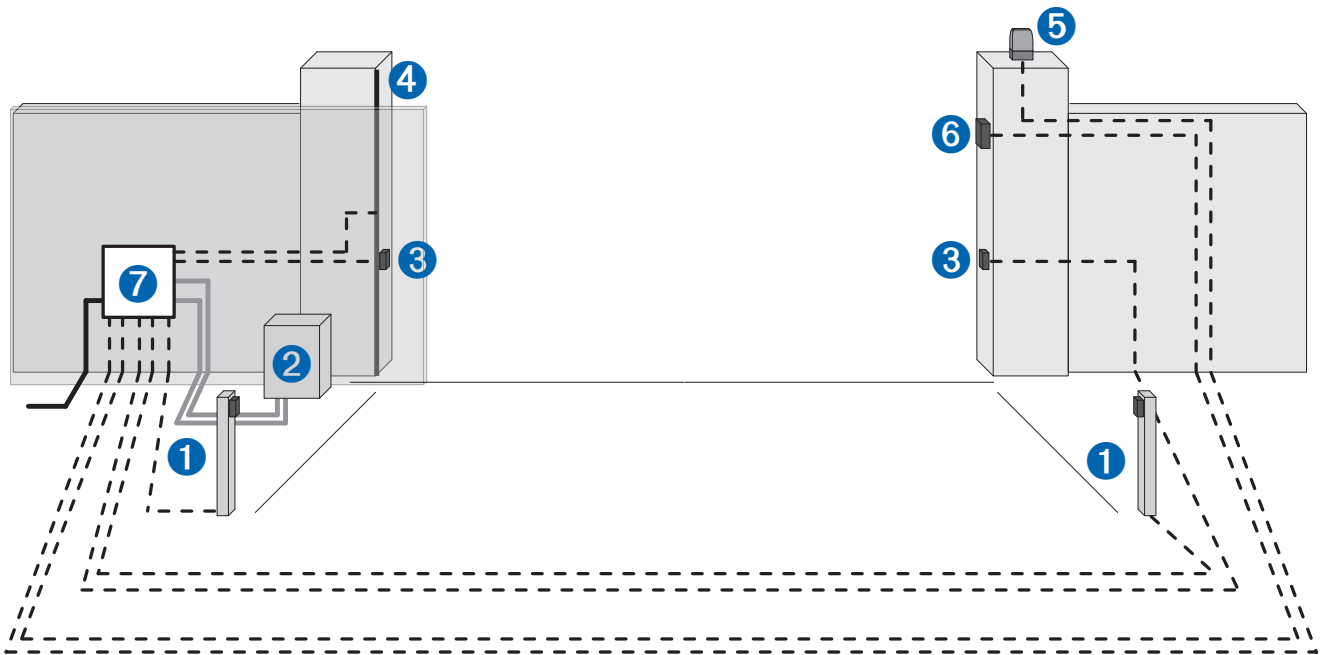
400V AC operators with control board, limit switches and encoder



COD.	Art.					OTHER CHARACTERISTICS
613210	25RRT	2500 kg	●●●	400RR	✓	<ul style="list-style-type: none"> • ATTENTION: NOT COMPATIBLE WITH NETLINK • Self-locking with limit switches • Anti-crushing safety device • Speed adjustment and slow down in opening and closing • Motor control by encoder and obstacle detection • Anti-inertia braking device (version 25RRTF only)
613215	25RRTF	2500 kg	●●●	400RR	✓	<ul style="list-style-type: none"> • ATTENTION: NOT COMPATIBLE WITH NETLINK • Self-locking • Magnetic limit switches • Anti-crushing safety device • Speed adjustment and slow down in opening and closing • Motor control by encoder and obstacle detection
613221	25RRT/M	2500 kg	●●●	400RR	✓	<ul style="list-style-type: none"> • ATTENTION: NOT COMPATIBLE WITH NETLINK • Self-locking • Magnetic limit switches • Anti-crushing safety device • Speed adjustment and slow down in opening and closing • Motor control by encoder and obstacle detection

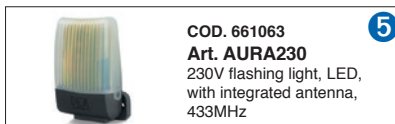
All models have (IB version excluded): control board and fixing plate to be cemented included

Example of installation and accessories



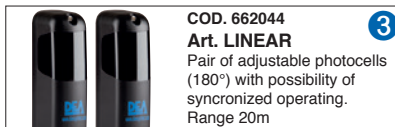
- Corrugated pipe for power supply cable
- Ø40 corrugated pipe for connection between the control board and the junction box
- - Ø20 corrugated pipe or external PVC conduit for connection between the control board and the command and safety accessories

pos.	description
1	Column with photocell
2	Operator
3	Photocells
4	Safety edge
5	Flashing light
6	Keyswitch / Digikey
7	Junction box



COD. 661063
Art. AURA230
230V flashing light, LED, with integrated antenna, 433MHz

5



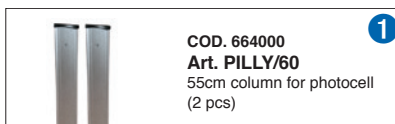
COD. 662044
Art. LINEAR
Pair of adjustable photocells (180°) with possibility of synchronized operating. Range 20m

3



COD. 681060
Art. COVER
Vandal-proof aluminium cover for LINEAR and LINEAR/B photocells (2 pcs)

3



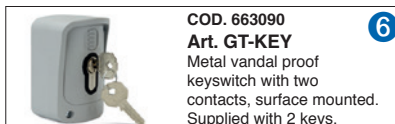
COD. 664000
Art. PILLY/60
55cm column for photocell (2 pcs)

1



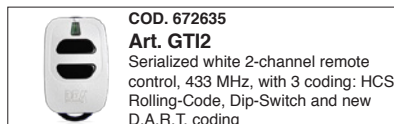
COD. 663280
Art. DIGIRAD
Wireless keypad

6



COD. 663090
Art. GT-KEY
Metal vandal proof keyswitch with two contacts, surface mounted. Supplied with 2 keys.

6



COD. 672635
Art. GTI2
Serialized white 2-channel remote control, 433 MHz, with 3 coding: HCS Rolling-Code, Dip-Switch and new D.A.R.T. coding

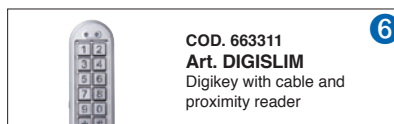


COD. 662043
Art. LINEAR/B
Pair of adjustable photocells (180°) with tx supplied by a LiOn battery. Range 7/15m

3

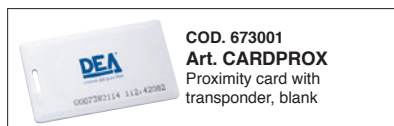


COD. 664020
Art. PILLY/BASE
Support to be cemented for column



COD. 663311
Art. DIGISLIM
Digikey with cable and proximity reader

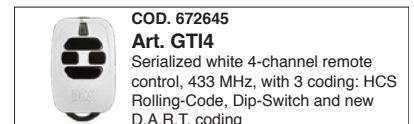
6



COD. 673001
Art. CARDPROX
Proximity card with transponder, blank



COD. 360580
Art. M6
Galvanized pinion GULLIVER M=6 Z=12 Øe=84

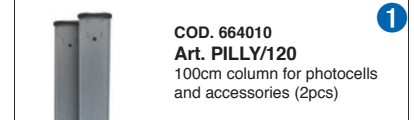


COD. 672645
Art. GTI4
Serialized white 4-channel remote control, 433 MHz, with 3 coding: HCS Rolling-Code, Dip-Switch and new D.A.R.T. coding



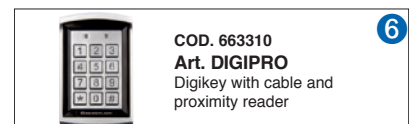
COD. 662047
Art. LINEAR/SHIELD
Pair of adjustable photocells LINEAR with vandal-proof aluminium cover art. COVER

3



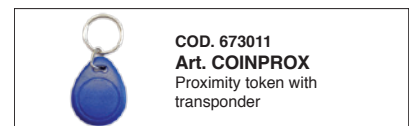
COD. 664010
Art. PILLY/120
100cm column for photocells and accessories (2pcs)

1



COD. 663310
Art. DIGIPRO
Digikey with cable and proximity reader

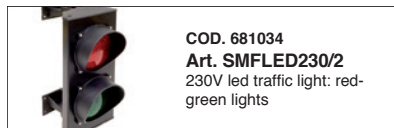
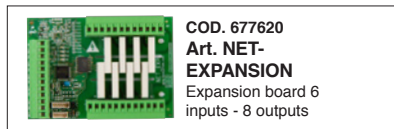
6



COD. 673011
Art. COINPROX
Proximity token with transponder

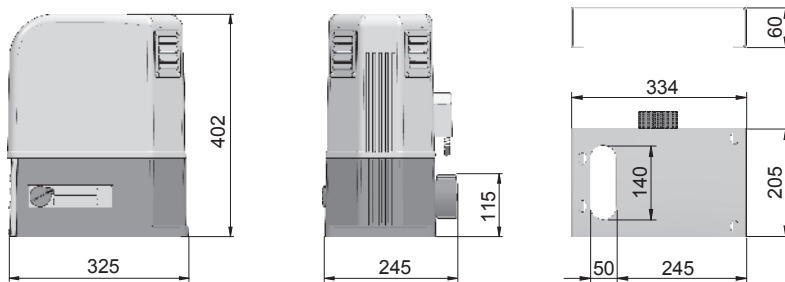


COD. 677611
Art. NET230/N - PROBOX
NET230 control board mounted on plate with cable holders and DIN rail to use on art. STEELBOX

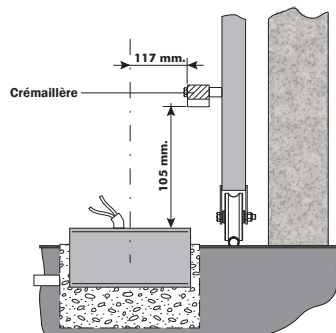
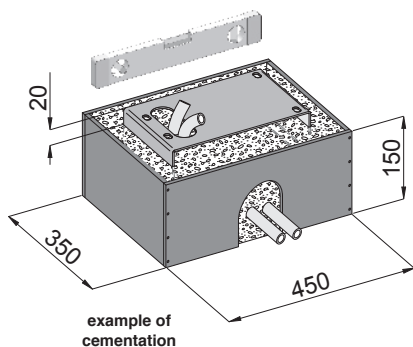


Technical info and dimensions

TECHNICAL INFO	18NET - 18NET/M - 18/IB	25RRT - 25RRTF - 25RRT/M - 25/IB
Motor power supply (V)	230V ~ ± 10 % (50/60 Hz)	400V AC ~ ± 10 % (50/60 Hz)
Maximum power absorption (W)	560	1200
Max thrust (N)	1300	1650
Duty cycle (cycles/hours)	15 - for a 12 m leaf length	17 - for a 14m leaf length
N. max cycles in 24h	240	280
Built-in capacitor (µF)	30	/
Operating temperature (°C)		-20 ÷ 50
Motor thermal protection (°C)	140	/
Speed (m/min)		10
Standard pinion	Z18	Z18
Weight with packing (Kg)		30
Sound pressure (dBA)		< 70
Protection level	IPX4 (IP44 with magnetic limit switches)	



fixing plate to be cemented or screwed

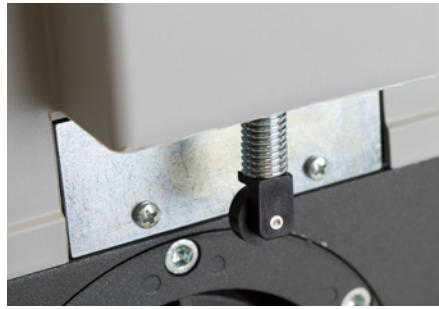


Features

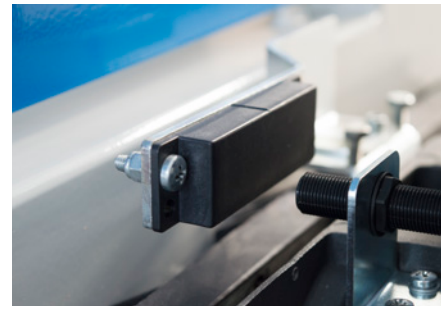


With **magnetic encoder**, for a smooth acceleration and during slow down.

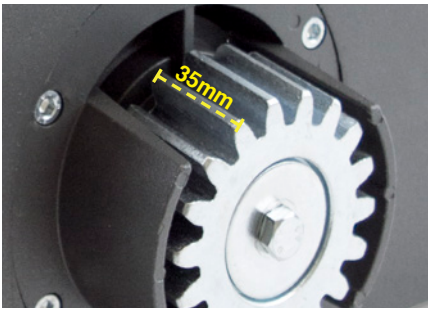
Operator with **forced ventilation** for intensive use.



Vertical electromechanical limit switch with protection (art. 18NET, art. 25RRT, art. 25RRTF).



Magnetic limit switches for special installations (art. 18NET/M, art. 25RRT/M)



Pinion thickness of 35mm, to ensure good coupling with the rack even if the door is deformed.



Gear operator with **steel worm-screw** and **bronze crown**, lubricated with low-viscosity grease that ensures long life and reduced wearing.



Movable control board for easier wiring and programming.

Also available with **external control board** (optional).



Fixing plate to be **cemented** or **screwed**.



Release with **customized key**.

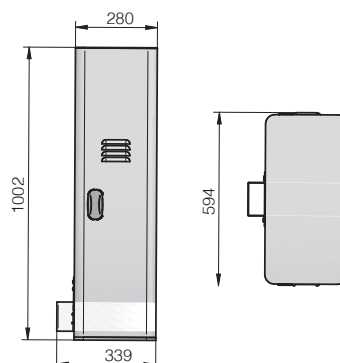


Vandal-proof container for the protection of the operator in locations at risk of tampering.

IRONBOX

Painted steel vandal-proof box for GULLIVER or REV with magnetic limit switches and foundation plate.

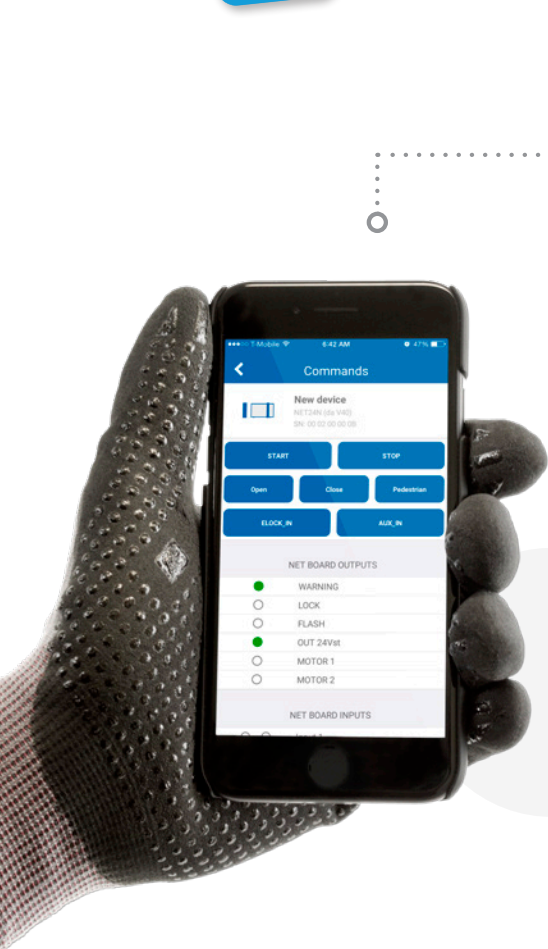
- Robust 2mm thick painted steel frame
- Anti-rust treatment and RAL 9006 hammered finish coating
- Galvanized fixing plate, thickness 10mm
- Lock with personalized key
- Wide space for fixing control board and safety or command accessories
- **Must be used with art. 18/IB o art. 25/IB and their respective control panels**



COD. 619080 WEIGHT: 44Kg



DEAinstaller



NET-NODE
cod. 677640



DEAinstaller is an application dedicated to **the professional installer**.

It allows you to **program** and **manage** an automation in a simple and intuitive way through the use of a smartphone, by simply connecting **NET-NODE** to the device.

The application allows you to quickly and accurately adjust the operating parameters thanks to a friendly interface.

With the software updates of the control board you will always have all the new features and you will create a back-up of your installations data.

Replacing the control board and restoring the radio transmitters of your installations will be even simpler.

Attention: for the GULLIVER range the app can only be used with art. 18NET, art. 18NET/M and art. 18/IB (only with NET230N control board)