



EVA.5



CONTROL PANELS:

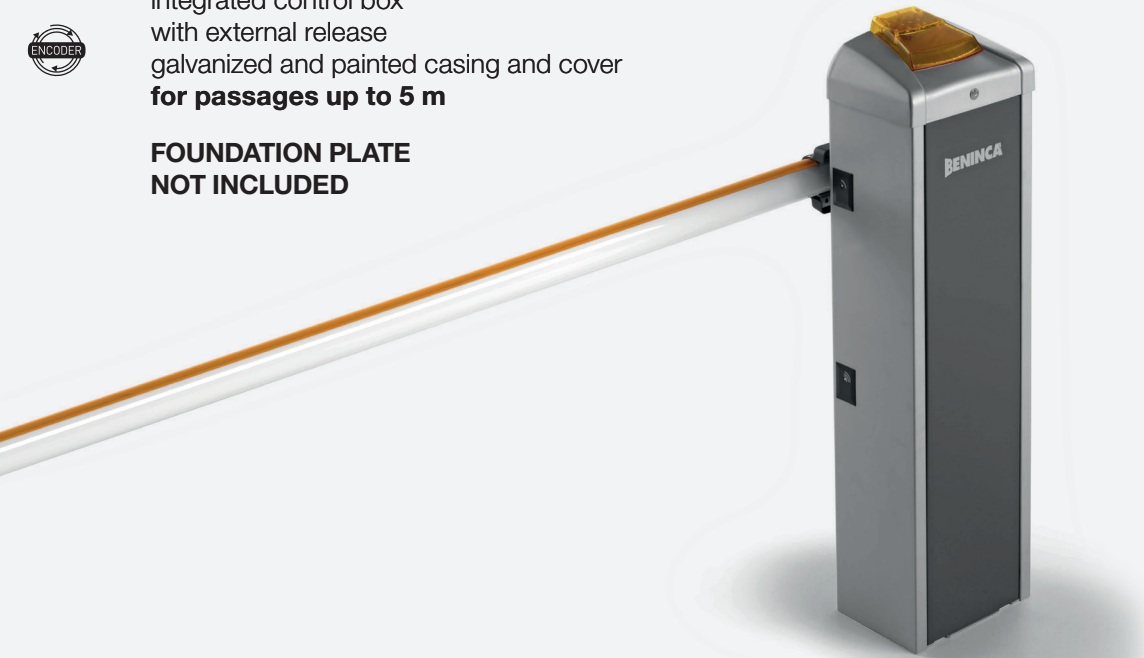
EVA.5 ———— | CP.EVA2



ROAD BARRIERS

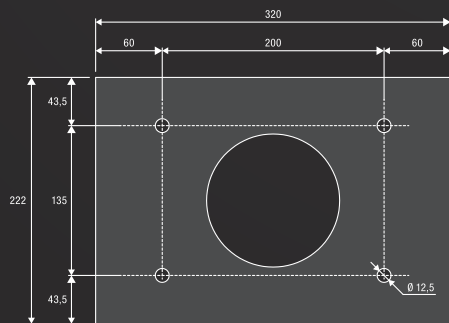
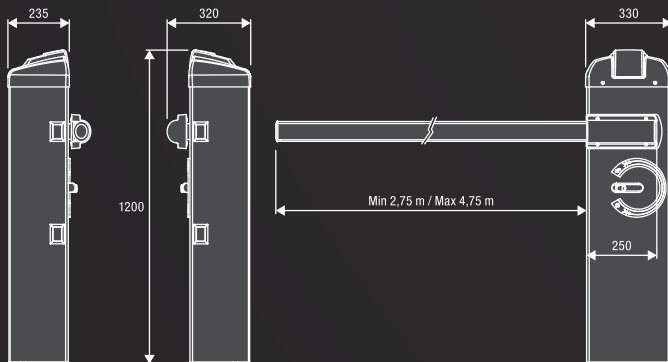
integrated control box
with external release
galvanized and painted casing and cover
for passages up to 5 m

**FOUNDATION PLATE
NOT INCLUDED**



24 Vdc | intensive use

- 24 Vdc electromechanical barrier for intensive use with control panel with 433.92 MHz radio receiver and integrated battery charger.
- Power range switching extended from 100 to 250 Vac, 50/60 Hz to reduce standby power to a minimum.
- Control panel with LCD display. Possibility of self-testing the parameters and checking the condition of the safety devices (photo test). Compatibility with Advantouch device.
- Option to install FTC.S photocells using concealed system so that they are perfectly integrated.
- Integrated absolute encoder, which ensures greater precision in slowdowns and advanced control of the boom movement so that it never loses the reference position of the boom even if there is a power cut or the automatic device is released
- Integrated STC System for precise torque calculation.
- Serial connection with SIS accessory data sheet, for fast and easy connection for operation in paired boom mode.
- Fast-acting release.
- Integrated flashing lamp (requires EVA.LAMP accessory data sheet)



VE.PS



EVA5.A
9081005

Elliptical arm of painted aluminium complete with cap and anti-collision rubber profile. (L. 5m)
Available in two pieces with joint (EVA5.2A).



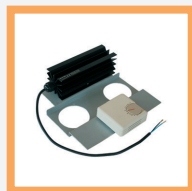
EVA5.G
9424002

Aluminium joint for EVA5.2A.



VE.PS
9623068

Foundation plate with coach screws for EVA5.



VE.TERM
9864010

Thermostat for very cold places.



VE.AM
9078020

Mobile support for bars.



VE.RAST
9672010

Aluminium rack L= 2 m.
H= 60 cm



EVA.AF
9078035

Painted fixed support.



EVA.L
9534002

Flashing light set for EVA5.A.



EVA.SUP
9819035

Support for EVA internal accessories.



VE.KM1HN
9614267

VE.KM2HN
9614268
Single/two-channel loop detector.



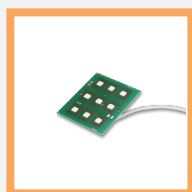
VE.CS
9760050

Traffic-light control unit for LED.TL.



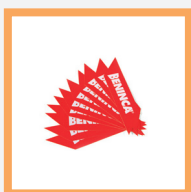
LED.TL
9766003

2 light 230 Vac LED traffic light.



EVA.LAMP
9534003

Circuit for EVA5 / EVA.7 flashing light.



EVA.CAT5
9549030

Set of 20 adhesive refractor strips for EVA5.A.



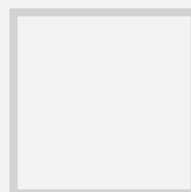
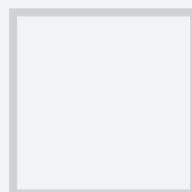
ESA BASIC
9176108

System that reduces the electrical energy consumption. In the EVA.5 model, the use of ESA BASIC is not compatible with the battery operation.



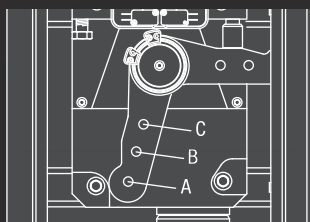
KSUN
9611004

KIT for system operation via solar panel.
For 24 Vdc models.



MADE IN ITALY

AUTOMATISMI BENINCA SpA • via del Capitello, 45 • 36066 Sandrigo (VI) ITALY • T +39 0444 751030 • F +39 0444 759728 • sales@beninca.it



ACCESSORIES FOR USE

BAR LENGHT (m)

	3	3.5	4	4.5	5
EVA5.A	C	C	B	B	A
EVA5.A + VE.RAST	C	B	B	A	A
EVA5.A + VE.AM	C	C	B	B	A
EVA5.A + VE.RAST + VE.AM	C	B	B	A	A
EVA5.A + SC.RES	C	B	B	A	A
EVA5.A + SC.RES + VE.AM	C	B	B	A	A

TECHNICAL DATA

EVA.5

Code	9083120
Power supply	100-250 Vac (50-60Hz)
Motor supply	24 Vdc
Max absorbed current	1,6 A
Power consumption in stand-by	40 mA (230Vac) 50 mA (115 Vac)
Torque	205 Nm
Opening time	3,5" - 6"
Operation cycle	intensive use
Protection level	IP44
Operating temperature	-20°C /+50°C
Weight	55 kg

Key: EVA5.A: Shank with rubber and upper profile / VE.RAST: Aluminium skirt / VE.AM: Mobile support for bar / SC.RES: Sensitive resistive edge (complying with annexe 4 of the Machines Directive).

Attention: The installation of the VE.RAST interferes with the use of the SC.RES and vice versa. The installation of the EVA.L lights kit does not influence the balancing of the bar.