

DIGIRAD N

DEA[®]
move as you like

- IT **Selettore digitale via radio**
Istruzioni d'uso ed avvertenze
- EN **Radio digital selector**
Operating instructions and warnings
- FR **Sélecteur numérique radio**
Notice d'emploi et avertissements
- DE **Digitale Funktastatur**
Bedienungsanleitung und Hinweise
- ES **Selector de radio digital**
Instrucciones de uso y advertencias
- PT **Seletor digital de rádio**
Instruções para utilização e advertências
- PL **Bezprzewodowa kontrola dostępu**
Instrukcja montażu i użytkowania
- RU **Радио цифровой селектор**
Инструкции и предупреждения
- NL **Draadloze toegangscontrole**
Bedieningsinstructies en waarschuwingen



DIGIRAD N

Radio digital selector


Operating instructions and warnings


Summary


1	Warning summary	11	7	Available functions	14
2	Product description	12	8	Settings	17
3	Technical data	12	9	Connection with APP	19
4	Installation and assembly	12	10	Battery status and replacement check	19
5	Simplified programming menu	13	11	Product Disposal	19

1 WARNINGS SUMMARY

WARNING! IMPORTANT SAFETY INSTRUCTIONS. CAREFULLY READ AND FOLLOW ALL WARNINGS AND INSTRUCTIONS THAT ACCOMPANY THE PRODUCT SINCE INCORRECT INSTALLATION COULD CAUSE HARM TO PEOPLE, ANIMALS OR OBJECTS. WARNINGS AND INSTRUCTIONS PROVIDE IMPORTANT INFORMATION REGARDING SAFETY, INSTALLATION, USE AND MAINTENANCE. KEEP THE INSTRUCTIONS TOGETHER WITH THE TECHNICAL DOCUMENTATION AND FOR FUTURE REFERENCE.

 **WARNING** Do not allow children to play with the appliance. The device may be used by children of not less than 8 years of age, people with reduced physical, mental or sensory impairment, or generally anyone without experience or, in any case, the required experience provided the device is used under surveillance or that users have received proper training on safe use of the device and are aware of the dangers related to its use.

 **WARNING** Fixed installation command (buttons, etc.) must be situated out of the reach of children at a height of at least 150 cm from the ground. Do not allow children to play with the device, the fixed commands or the radio controls of the system.

 **WARNING** Under no circumstances use the device in an explosive atmosphere or in areas that may be corrosive or could damage product parts. Check that the temperatures at the installation site are suitable and comply with the temperatures declared on the product label.

WARNING In compliance with EU Directive 2012/19/EG on waste electrical and electronic equipment (WEEE), this electrical product should not be treated as municipal mixed waste. Please dispose of the product and bring it to the collection for an appropriate local municipal recycling.

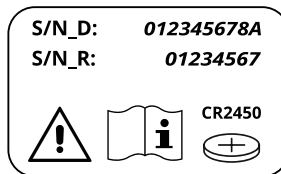
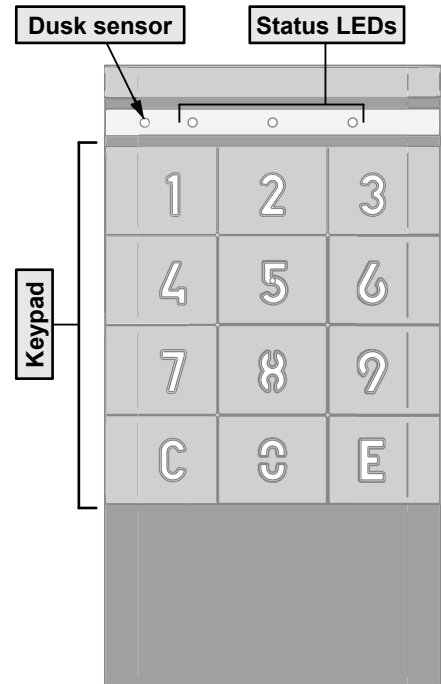
EVERYTHING THAT IS NOT EXPRESSLY PROVIDED FOR IN THE INSTALLATION MANUAL IS NOT ALLOWED. CORRECT OPERATOR OPERATION IS ONLY ENSURED WHEN THE REPORTED DATA IS RESPECTED. THE COMPANY DOES NOT TAKE RESPONSIBILITY FOR DAMAGE CAUSED BY FAILURE TO COMPLY WITH THE INSTRUCTIONS CONTAINED IN THIS MANUAL. WITHOUT AFFECTING THE ESSENTIAL FEATURES OF THE PRODUCT, THE COMPANY RESERVES THE RIGHT TO MAKE ANY CHANGES DEEMED APPROPRIATE AND AT ANY TIME IN ORDER TO TECHNICALLY, STRUCTURALLY AND COMMERCIALY IMPROVE THE PRODUCT WITHOUT BEING REQUIRED TO UPDATE THIS DOCUMENT.

2 PRODUCT DESCRIPTION

DIGIRAD N is a four-channel radio keypad selector designed to control compatible DEA SYSTEM command units and/or receivers. The selector can work both indoors and outdoors and being powered by batteries, it does not require wiring. The integrated circuit has 2 distinct serial numbers. The first **S/N_D** (device serial number) is used to identify the selector within the DEA System NET-LINK ecosystem and cannot be changed, the second **S/N_R** (radio serial number) is used to send commands to the paired devices by simulating the operating logic of a 4-buttons remote.

3 TECHNICAL DATA

Power supply	2x CR2450 batteries in series (lithium-ion, 3V)
Battery life	2 years with 10 activations per day (with backlight time-out at default)
Radio frequency	433.92 MHz
Radio coding	HCS Rolling Code, Dip Switch, D.A.R.T.
Radio channels	4
Radio signal range	200m in open field 40m for indoor use
Access codes	Max 300
Code length	2 to 8 digits
Degree of protection	IP54
Operating temperature	-20÷50 °C
Product dimensions	137x74x28 mm
Product weight	200 g



4 INSTALLATION AND ASSEMBLY

WARNING: For assembly and / or disassembly operations, always use the most appropriate equipment, meticulously following the regulations in force in the sales Country.

WARNING: Remove the lid carefully following the instructions. Do not remove parts by forcing components.

WARNING: Fixed installation controls (buttons, etc.) must be located out of the reach of children at least 150 cm above the ground.

WARNING: Do not mount the selector near or even on metal surfaces (including mirrored glass) as this could compromise its operation, in particular with regard to the transmission distance.

Before installation, identify the place to mount the selector making sure that the distance from the respective receivers does not exceed the maximum declared range (see paragraph "3. TECHNICAL DATA").

It is also advisable to perform some transmission tests from a greater distance, in order to ensure correct operation even with a flat battery.

Please proceed according to the following points:

- Open the device by unscrewing and removing the special screw on the bottom with the wrench provided;
- Drill the support surface following the measurements indicated in Pic. 4, taking into account whether it requires the use of the supplied expansion plugs;
- Place the insulating pad between the wall and the rear base of the selector and fix the base with the supplied screws (Pic. 5);
- Remove the 2 insulating tabs from the batteries, checking that the selector works correctly (Pic. 3);
- Before closing the upper part, make sure that the silicone gasket has been reassembled and is not damaged;
- Hook the upper part of the selector to the base previously fixed to the wall and tighten the special screw on the bottom (Pic. 6).

WARNING: When reassembling the upper part of the selector, slightly tilt the shell to facilitate the interlocking and apply a slight downward pressure (Pic. 7).

5 SIMPLIFIED PROGRAMMING MENU

PROGRAMMING MODE ACTIVATION (Enter 1 + 3 for 5 seconds)

FUNCTION		PARAMETERS		VALUES			DEFAULT			
HOME (fix white LED)	1 Adding codes	1	Direct command	1	Single code	3 fast blinks	Follow the procedure indicated in points 6.6 and 6.7	Follow what is described in paragraph "6. AVAILABLE FUNCTIONS" for an in-depth description		
		2	Multiple command							
	2 Deleting codes	1	Single code cancellation	Follow the indicated procedure in point 6.8					/	
		2	Total cancellation	Follow the indicated procedure in point 6.9					/	
	3 INSTALLER code	1	Adding INSTALLER code	Follow the indicated procedure in point 6.9					/	
		2	Erasing the INSTALLER code	/					/	
	4	Not available	/				/			
	5	Not available	/				/			
	9 Setting	1 Radio coding	1	Radio coding	2	2 fast blinks	1		HCS Rolling Code	1
			2	Dip Switch			2		ON with low light	2
3			D.A.R.T.	1			Minimum	1		
2		Backlight logic	2	Low						
3 Backlight intensity level		3	Backlight intensity level	3	Average	4	High	4		
		4	Backlight time-out	4	Maximum	1	ON	1		
5		Command time-out	5	Command time-out	5	OFF	2	OFF	1	
6		Code length	6	Code length	1	Reset of the settings only	1	Reset of the settings only	/	
7		Sound feedback	7	Sound feedback	2	Total reset	2	Total reset	/	
8		Factory reset	8	Factory reset	1	Reset of the settings only	1	Reset of the settings only	/	
				2	Total reset	2	Total reset	/		

Once the programming mode has been activated (see paragraph 6.2) and the HOME level has been entered, it is possible to use the DIGIRAD N keys to navigate between the various programming levels and modify the stored values.

- Use the numeric keys from 0 to 9 for numeric selections (function-parameter-value choice);
- Use the E key to confirm the function or parameter and store the value;
- Use the C key to cancel (short press). It also allows you to return to the HOME level (press for 1 second), or completely exit programming mode (press for 5 seconds).

Example - "Set Command time-out to a duration of 10 seconds": In programming mode, enter: 9 E + 5 E + 10 E

Example - "Turn off Sound feedback": In programming mode, enter: 9 E + 7 E + 2 E

In general, after changing a value in functions 3-4-5-9 it will automatically return to the HOME level.

In the case of functions 1 and 2, on the other hand, after adding (or deleting) the first code and assigning a channel, DIGIRAD N will wait for further codes so if you want to end the operation, you will need to press the C key to exit.

6 AVAILABLE FUNCTIONS

6.1 Typing feedback

In general, with the sound feedback active (default setting), there is sound feedback every time a key is pressed.

At the end of typing, the status LEDs on the top of the selector are always active, to indicate the outcome of an operation both in normal use and in programming.

CORRECT CODE or **SUCCESSFUL PROGRAMMING**: prolonged beep and **green LEDs** on.

WRONG CODE or **PROGRAMMING FAILED**: 3 short beeps and **red LEDs** on.

6.2 Keypad activation

To prolong the battery life and in the absence of active commands, the selector will normally be in stand-by mode. To wake it up, simply press any key on the numeric keypad.

The awakening will be confirmed by:

- Short blink of the upper red and white LEDs.
- Activation of the keypad backlight (if enabled and if there is a low light condition).

If no key is pressed (and you are not in programming mode), the keypad switches off and returns to stand-by once the time defined in the **backlight time-out** has elapsed (see paragraph 7.4).

6.3 Memorization on DEA SYSTEM devices

DIGIRAD N is factory programmed with 4 access codes, in order to allow a first rapid programming on control units or receivers with 433MHz radio frequency and set in HCS (Rolling-code or Fixed-code) encoding:

1111 to activate radio channel **CH1** (= key 1 of a remote)

2222 to activate radio channel **CH2** (= key 2 of a remote)

3333 to activate radio channel **CH3** (= key 3 of a remote)

4444 to activate radio channel **CH4** (= key 4 of a remote)

- Put the DEA SYSTEM control unit or receiver in radio learning mode (P005 on RR or NET series control units, rA.02 on NET-EVO series control units, P1 key on receivers);
- Press any key on the numeric keypad to activate DIGIRAD N; the red and white LEDs will blink briefly;
- If you are memorizing on a receiver, it will be important to enter the code corresponding to the radio channel to be saved; For the control units, on the other hand, indifferently enter one of the 4 codes assigned to the radio channels;
- Return the control unit or the receiver to normal use conditions and check that the command is sent by typing the code just memorized on the keypad.

For security reasons, it is recommended to delete the default codes and replace them with new access codes at the end of the device pairing operations. It will not be necessary to repeat the memorization of DIGIRAD N on the previously paired DEA System devices.

6.4 Access to programming mode

To modify or simply access the DIGIRAD N functions, you will first need to enter programming mode.

Follow the steps below:

- Press any key to activate DIGIRAD N;
- Press and hold keys **1** and **3** for 5 seconds. The buzzer will emit a continuous beep; release the keys at the end of the beep;
- The white LED lights up fix, indicating that you are in programming mode.

Use the E and C keys during programming respectively to:

E: confirm

C: cancel, return to the previous menu (single press)

If, in addition to the fix white LED, the red and green LEDs also light up blinking, it means that the programming mode has been locked by means of an **installer code** (see paragraph 6.9).

Within 15s enter the installer code (if you know it) and confirm with the **E** key to access the programming mode. Only the fix white LED will remain on. If a valid installer code is not entered, after 15s the selector will return to stand-by mode.

6.5 Exit programming mode

Programming mode can be exited in two ways:

- Press and hold the **C** key for 5 seconds. The buzzer will emit a continuous beep. Release the key at the end of the beep.
- Alternatively, the programming mode will **automatically exit after 2 minutes** from the last press of any key.

6.6 Adding Access Codes (Direct Access Mode)

If a code is memorized in “direct access” mode, that code can activate the associated radio channel at each entry. Simply activate the numeric keypad and enter the code without any other confirmation key, the radio command will be sent immediately.

MEMORIZATION PROCEDURE:

Example of adding single code 5555 on channel CH1

- Activate the keypad and enter programming mode (keys **1** and **3** for 5s)
- Enter **1 E + 1 E + 1 E + 5555 E + 1 E**
- Wait for the green LEDs to turn off
- Exit programming mode (**C** key for 5s)

Example of adding code 6666 on channel CH2 and code 7777 on channel CH3 in sequence

- Activate the keypad and enter programming mode (keys **1** and **3** for 5s)
- Enter **1 E + 1 E + 1 E + 6666 E + 2 E**
- Wait for the green LEDs to turn off
- Enter **7777 E + 3 E**
- Wait for the green LEDs to turn off
- Exit programming mode (**C** key for 5s)

In case of error (red LEDs): The code you tried to memorize may already be stored (it is not possible to use the same code twice) or the typing was incorrect. Try to repeat the operation.

USAGE:

Activate the keypad by pressing any key and then enter a valid code: the radio command will be sent. To resend the command, you will need to re-type the associated code.

6.7 Adding Access Codes (Multiple Access Mode)

If a code is memorized in “multiple access” mode, that code can activate, within a certain time (command time-out), one or more radio channels, even repeatedly, without having to be re-entered each time.

WARNING: a code already stored in “direct access” mode cannot be memorized also in “multiple access” mode and vice versa.

MEMORIZATION PROCEDURE:

Example of adding single code 8888 on channel CH1

- Activate the keypad and enter programming mode (keys **1** and **3** for 5s)
- Enter **1 E + 2 E + 1 E + 8888 E + 1 E**
- Wait for the green LEDs to turn off
- Exit programming mode (**C** key for 5s)

Example of adding multiple code 9999 on channels CH1, CH2 and CH4

- Activate the keypad and enter programming mode (keys **1** and **3** for 5s)
- Enter **1 E + 2 E + 1 E + 9999 E + 1 2 4 E**
- Wait for the green LEDs to turn off
- Exit programming mode (**C** key for 5s)

In case of error (red LEDs): The code you tried to memorize may already be stored (it is not possible to use the same code twice) or the typing was incorrect. Try to repeat the operation.

USAGE:

Activate the keypad by pressing any key and then enter a valid code: within the time defined by the command timeout (see paragraph 7.5), press one of the keys corresponding to the radio channels associated with that code (1, 2, 3 or 4), even more times depending on the radio channel you want to activate.

6.8 Deleting codes

It is possible to perform the **cancellation of a single code** or a **total cancellation of all stored codes**. For example, after the first pairing of DIGIRAD N on any DEA SYSTEM device you want to control, it is always recommended to delete the 4 factory codes for security reasons.

Example of single cancellation of a code (e.g. code 1111)

- Activate the keypad and enter programming mode (keys **1** and **3** for 5s)
- Enter **2 E + 1 E + 1111 E**
- Wait for the green LEDs to turn off
- Exit programming mode (**C** key for 5s)

Example of single cancellation of the 4 factory codes (1111 - 2222 - 3333 - 4444)

- Activate the keypad and enter programming mode (keys **1** and **3** for 5s)
- Enter **2 E + 1 E + 1111 E**
- Wait for the green LEDs to turn off
- Enter **2222 E**
- Wait for the green LEDs to turn off
- Enter **3333 E**
- Wait for the green LEDs to turn off
- Enter **4444 E**
- Wait for the green LEDs to turn off
- Exit programming mode (**C** key for 5s)

Example of a TOTAL cancellation of all stored codes

- Activate the keypad and enter programming mode (keys **1** and **3** for 5s)
- Enter **2 E + 2 E + E** for 5s until the end of the long beep
- Wait for the green LEDs to turn off
- Exit programming mode (**C** key for 5s)

6.9 Installer code

Access to DIGIRAD N programming mode can be locked to prevent changes by unknown users. After configuring an installer code, to enter programming mode it will always be necessary to enter the correct code before any other operation. The installer code must **always have 6 digits** (regardless of the length of the access codes set) and **must not contain the C and E keys**.

Entering an INSTALLER CODE (e.g. 123456)

- Activate the keypad and enter programming mode (keys **1** and **3** for 5s)
- Enter **3 E + 1 E + 123456 E**
- Wait for the green LEDs to turn off
- Exit programming mode (**C** key for 5s)

If you want to remove the programming mode lock, you will need to erase the installer code previously set.

If you know the code, follow the steps below:

Erasing an INSTALLER CODE (e.g. 123456)

- Activate the keypad and enter programming mode (keys **1** and **3** for 5s)
- Enter **123456 E**
- Enter **3 E + 2 E + 123456 + E** for 5s until the end of the long beep
- Wait for the green LEDs to turn off
- Exit programming mode (**C** key for 5s)

If the installer code has been lost, in order to unlock the programming mode, it will be necessary to perform a TOTAL RESET of the device (see paragraph 7.8).

7 SETTINGS

DIGIRAD N settings can be configured to suit the needs of the installation site.

7.1 Radio coding

There are 3 radio codings available.

Radio coding change (DEFAULT: 1 HCS Rolling Code)

- Activate the keypad and enter programming mode (keys **1** and **3** for 5s)
- Enter **9 E + 1 E +**

}	1 (HCS Rolling Code)	}	+ E
	2 (Dip-Switch)		
	3 (D.A.R.T.)		
- Wait for the green LEDs to turn off
- Exit programming mode (**C** key for 5s)

Normally the radio coding is defined at the beginning of the installation. However, if there is a need to change the radio coding after installation, any previously stored codes will continue to work correctly.

In any case, DIGIRAD N must be memorized again on the control unit or on the receiver (see paragraph 6.3).

7.2 Backlight logic

For the backlight of the numeric keypad, there are 2 options available:

- Always OFF (Key LEDs always off);
- ON with low light (Key LEDs lit only in low light conditions and for a defined maximum time (see paragraph 7.4);

Backlight logic change (DEFAULT: 2 ON with low light)

- Activate the keypad and enter programming mode (keys **1** and **3** for 5s)
- Enter **9 E + 2 E +**

}	1 (Always OFF)	}	+ E
	2 (ON with low light)		
- Wait for the green LEDs to turn off
- Exit programming mode (**C** key for 5s)

The status LEDs on the top will always be active regardless of the option selected.

7.3 Backlight intensity level

You can adjust the backlight intensity level. **ATTENTION!** increasing the intensity level will cause a greater consumption of the batteries and consequently will reduce the life of the batteries themselves.

Backlight intensity level change (DEFAULT: 1 minimum)

- Activate the keypad and enter programming mode (keys **1** and **3** for 5s)
- Enter **9 E + 3 E +**

}	1 (Minimum)	2 (Low)	}	+ E
	3 (Average)	4 (High)		
	5 (Maximum)			
- Wait for the green LEDs to turn off
- Exit programming mode (**C** key for 5s)

7.4 Backlight time-out

You can adjust the time after which the key LEDs turn off after a key is pressed. **ATTENTION!** increasing the duration will cause a greater consumption of the batteries and consequently will reduce the life of the batteries themselves.

Backlight time-out change (DEFAULT: 3s)

- Activate the keypad and enter programming mode (keys **1** and **3** for 5s)
- Enter **9 E + 4 E +** from **1** to **255** (enter the desired seconds) + **E**
- Wait for the green LEDs to turn off
- Exit programming mode (**C** key for 5s)

7.5 Command time-out

You can adjust the time within which a command can be sent after entering a valid access code in multiple access mode. Pressing any key will reload the time-out.

Command time-out change (DEFAULT: 5s)

- Activate the keypad and enter programming mode (keys **1** and **3** for 5s)
- Enter **9 E + 5 E +** from **1** to **255** (enter the desired seconds) + **E**
- Wait for the green LEDs to turn off
- Exit programming mode (**C** key for 5s)

7.6 Code length

You can adjust the length of the codes that you will have to enter to control the paired devices.

Code length change (DEFAULT: 4 digits)

- Activate the keypad and enter programming mode (keys **1** and **3** for 5s)
- Enter **9 E + 6 E + from 2 to 8** (enter the desired value) + **E**
- Wait for the green LEDs to turn off
- Exit programming mode (**C** key for 5s)

Normally the length of the access codes is defined at the beginning of the installation.

If there is a need to change the length of the codes after installation, and there are codes already stored, these **will only work if the new length set is greater**, in which case the user will simply have to **add one or more 0s (zero) at the end of the code to be entered** (e.g. stored code 1234, new length set to 6, the code to type to activate the command will be 123400).

WARNING: If the new code length set is shorter, for security reasons all previously memorized codes will be reset and the codes will have to be learned again.

7.7 Sound feedback

You can turn off the keypad sound feedback.

Sound feedback change (DEFAULT: 1 ON)

- Activate the keypad and enter programming mode (keys **1** and **3** for 5s)
- Enter **9 E + 7 E +** $\left. \begin{array}{l} \mathbf{1} \text{ (ON)} \\ \mathbf{2} \text{ (OFF)} \end{array} \right\} + \mathbf{E}$
- Wait for the green LEDs to turn off
- Exit programming mode (**C** key for 5s)

7.8 Reset

If there is a need to reset the data stored on DIGIRAD N, 2 options are available:

- **Reset of the settings only:** resets the settings to the default values and deletes the installer code (if set);
- **Total reset:** resets the settings to the default values, deletes the installer code (if set) and deletes ALL stored access codes.

WARNING: At the end of a total reset, for safety reasons, the internal radio serial number of DIGIRAD N is also automatically changed, to prevent an ill-intentioned person from using the selector to control the paired system devices. After changing the radio serial number, DIGIRAD N must necessarily be paired again on the control unit or on the receiver in use.

Reset of the settings only

- Activate the keypad and enter programming mode (keys **1** and **3** for 5s)
- Enter **9 E + 8 E + 1 + E** for 5s until the end of the long beep
- Wait for the green LEDs to turn off
- Exit programming mode (**C** key for 5s)

Total reset

- Activate the keypad and enter programming mode (keys **1** and **3** for 5s)
- Enter **9 E + 8 E + 2 + E** for 5s until the end of the long beep
- Wait for the green LEDs to turn off
- Exit programming mode (**C** key for 5s)

If a previously set installer code is lost, access to DIGIRAD N programming will be denied. In this case, it will still be possible to perform a total reset of the device but it will be necessary to access the batteries by following the steps below:

Total reset with access to the BATTERIES

- Remove DIGIRAD N from the wall by unscrewing the special screw on the bottom;
- Activate the keypad to **make sure you exit stand-by mode**;
- Remove the BT2 battery (Fig. 8);
- Reinsert the battery in the housing;
- Press and hold down keys **C + 0 + E** at the same time and wait for the long beep (about 5s);
- The turning off of the green LEDs will confirm the success of the operation;
- Reassemble DIGIRAD N on the wall.

8 CONNECTION WITH APP

If you have a smartphone with the DEA System APP installed, it will be possible to put DIGIRAD N in communication with the latter. Follow the steps below:

- Activate the keypad and press the **0** key;
- Keep key **0** pressed and wait for the end of the long beep (about 5s);
- The **C**, **0**, **E** keys will light up as well as the upper **white LED** and all blink slowly.

To stop receiving external commands from the DEA System APP, simply press the **C** key once on the DIGIRAD N.

In any case, after 5 minutes without receiving signals, the selector will automatically suspend communication with the APP and will enter stand-by mode.

9 BATTERY STATUS AND REPLACEMENT CHECK

9.1 Battery status check

You can check the state of charge of the batteries at any time by following the steps below:

- Activate the keypad and press the **9** key;
- Keep key **9** pressed and wait for the end of the long beep (about 5s);
- The upper status LEDs will turn on and blink, until the **9** key is released.

The color of the blinking LEDs will indicate the battery charge threshold:

- **GREEN** light: charge **60% – 100%**
- **GREEN/RED** light: charge **15% – 59%**
- **RED** light: charge **0% – 14%**

If the battery charge threshold drops below 15%, after entering a valid access code DIGIRAD N will pre-blink the red LEDs before sending a command, in order to signal to the user that he must proceed to replace the batteries as soon as possible.

9.2 Battery replacement


To remove and / or replace the batteries, follow the steps below:

- Unscrew the special screw on the bottom using the supplied wrench;
- Remove the upper part of the selector by tilting it slightly and lifting it gently;
- Remove both batteries and replace them with a new pair;
- Check that the selector works correctly;
- Reassemble the upper part following the reverse procedure.

WARNING: The use of batteries of the wrong type can cause a risk of fire and/or explosion of the product. Use only batteries of the specified type.

WARNING: It is preferable to always replace both batteries to avoid false charge status signals as well as a significant reduction in the functioning of the product.

10 PRODUCT DISPOSAL

 **WARNING** In compliance with EU Directive 2012/19/EU (WEEE), this electrical product must not be disposed of as unsorted municipal waste. Please dispose of the product by bringing it to your local municipal collection point for appropriate recycling.



Attention!

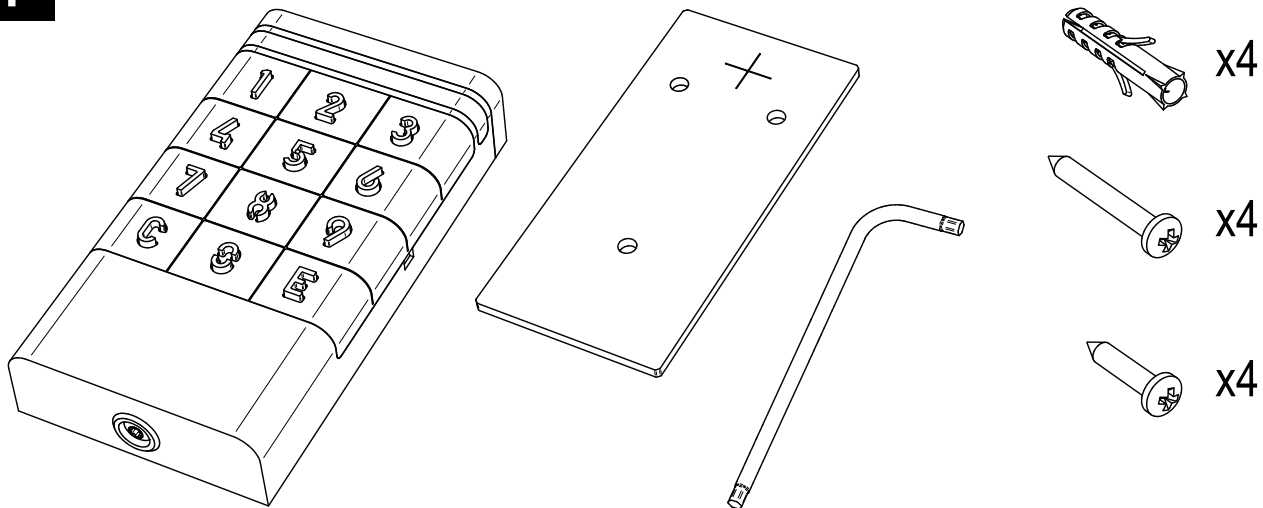
This product contains a "button" type battery. Keep the new and used batteries out of reach of children.

! DO NOT INGEST THE BATTERY ! If the battery is ingested, it may cause serious internal burns in just 2 hours and bring to death.

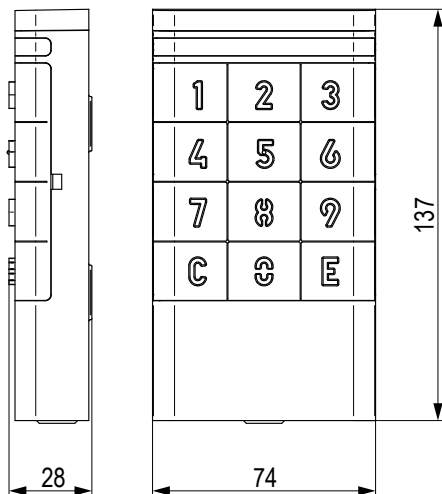


In case of suspected ingestion or insertion in other body parts, immediately contact a doctor.

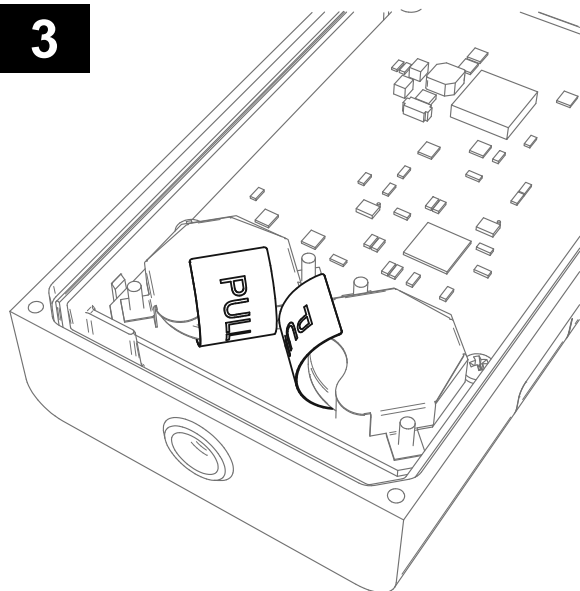
1



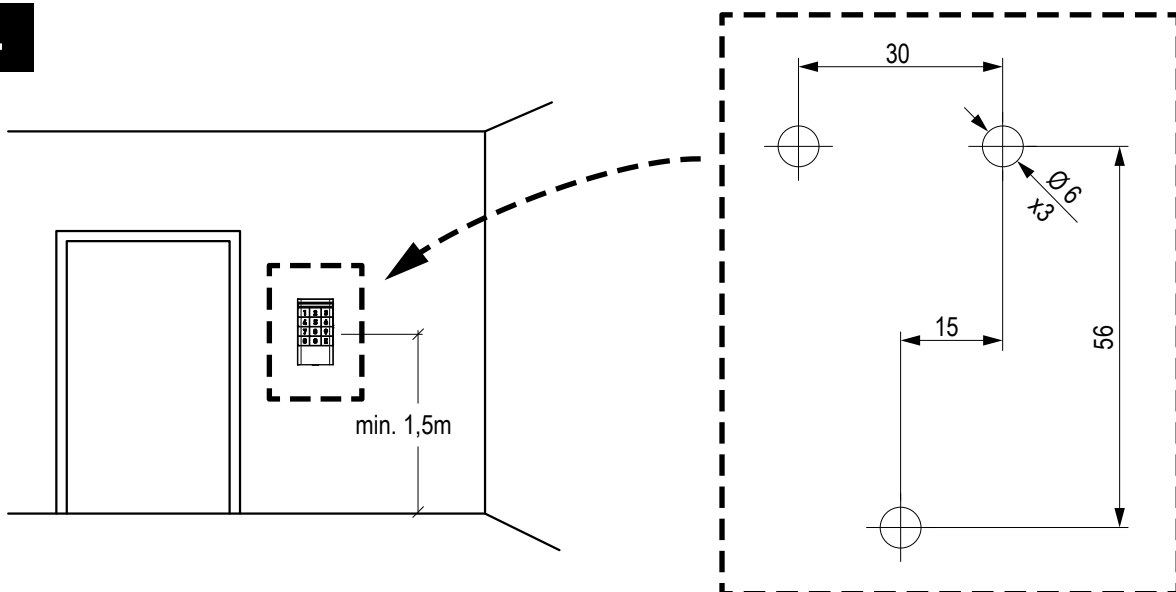
2

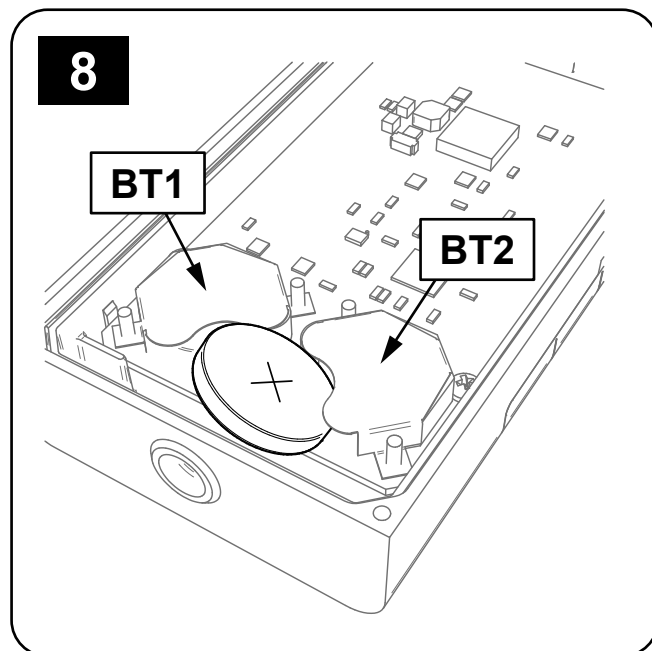
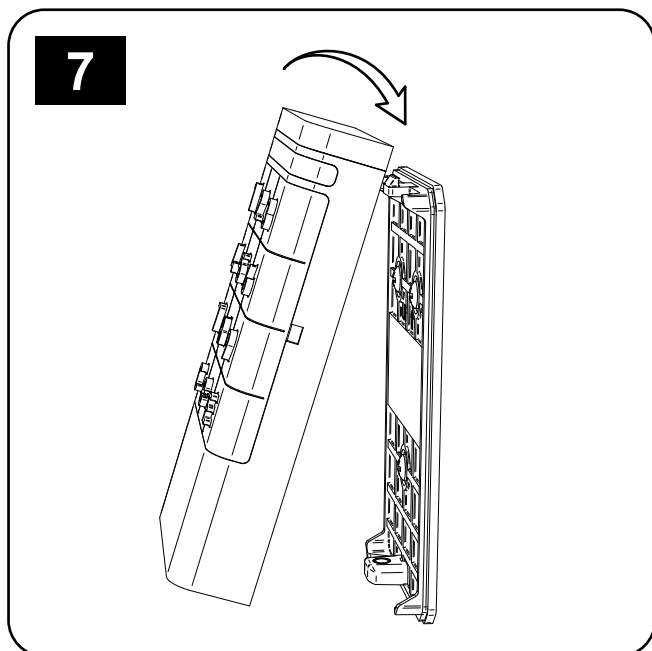
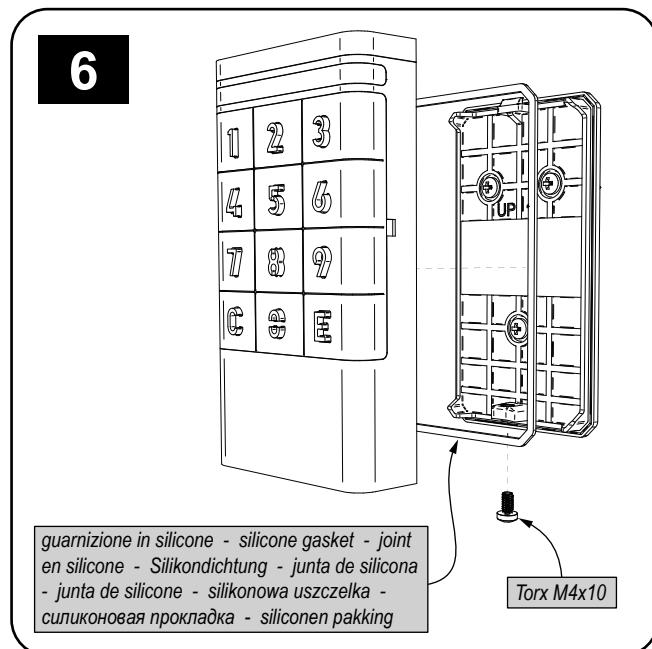
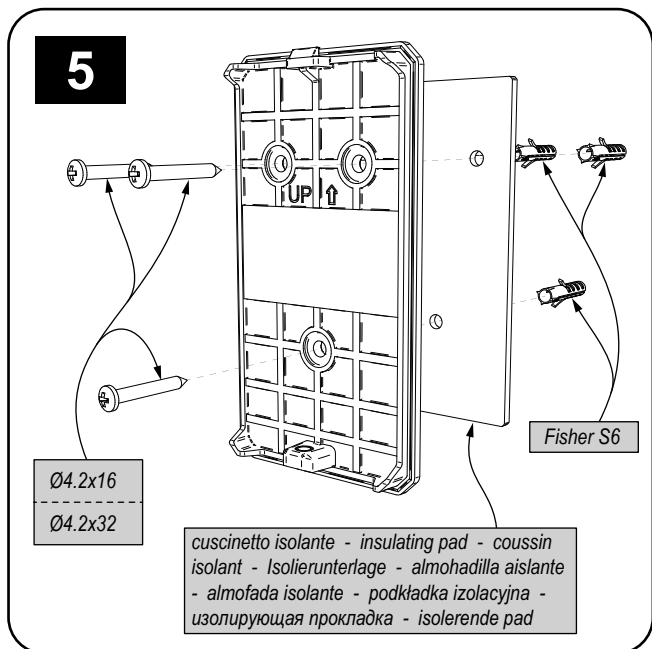


3



4





EU Declaration of Conformity (DoC)

Company name:	DEA SYSTEM S.p.A.
Postal address:	Via Della Tecnica, 6
Postcode and City:	36013 Piovene Rocchette (VI) - ITALY
Telephone number:	+39 0445 550789
E-Mail address:	deasystem@deasystem.com

declare that the DoC is issued under our sole responsibility and belongs to the following product:

Apparatus model/Product:	DIGIRAD/N
Type:	Digital keypad
Batch:	See the label on the back of the user manual

The object of the declaration described above is in conformity with the relevant Union harmonisation legislation:

2014/53/EU (RED)
2011/65/EU (RoHS)

The following harmonised standards and technical specifications have been applied:

Title:	Date of standard/specification
EN 63000	2018
EN 61000-6-2	2005 + AC:2005
EN 61000-6-3	2007 + A1:2011 + AC:2012
ETSI EN 301 489-1	2019 V2.2.3
ETSI EN 301 489-3	2021 V2.1.2
EN 62368-1	2014 + A1:2017
ETSI EN 300 220-1	2018 V3.2.1
ETSI EN 300 220-2	2018 V3.2.1

Additional information

Signed for and on behalf of:		
Revision:	Place and date of issue:	Name, function, signature
00	Piovene Rocchette (VI) 25/11/2022	Tiziano Lievore (Administrator) 

BATCH



DEA SYSTEM S.p.A.

Via Della Tecnica, 6 - 36013 PIOVENE ROCCHETTE (VI) - ITALY

tel: +39 0445 550789 - **fax:** +39 0445 550265

Internet: <http://www.deasystem.com> - **E-mail:** deasystem@deasystem.com