

GEKO

Electromechanical automations for swing gates

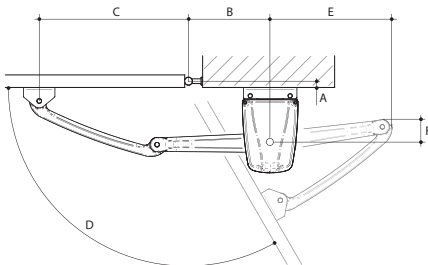


NET24N 24V d.c. operators with control board and encoder

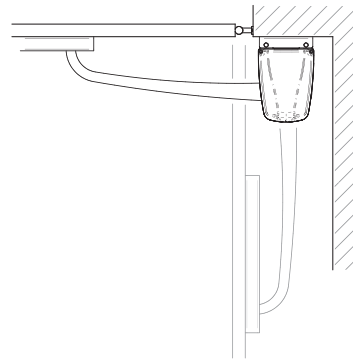
COD.	Art.	EN	Icon	Encoder	NET24N	OTHER CHARACTERISTICS
628000	GEKO		•	•	NET24N	<ul style="list-style-type: none"> - 1 operator - Mechanical limit switches - Speed adjustment and slow down in opening and closing
628010	GEKO/2		•	•	NET24N	<ul style="list-style-type: none"> - 2 operators - Mechanical limit switches - Speed adjustment and slow down in opening and closing

All models have: Fixing plate included, arm not included (see on page 56)

DIMENSIONS WITH ARMS



Articulated arm

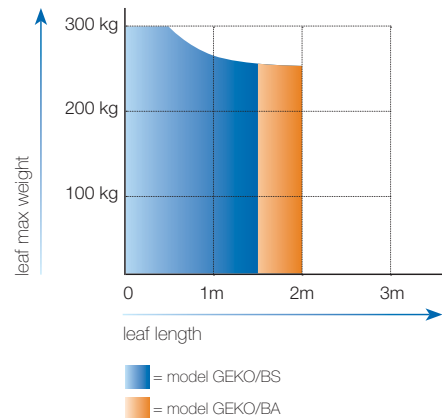


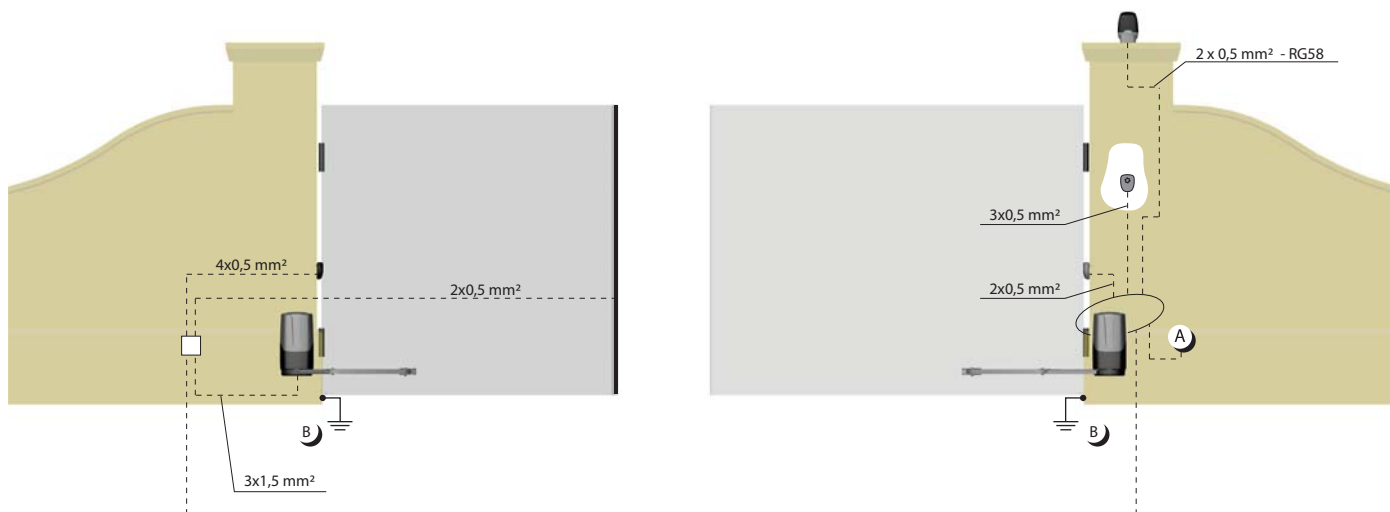
Sliding arm

Refer to instructions manual for installation dimensions

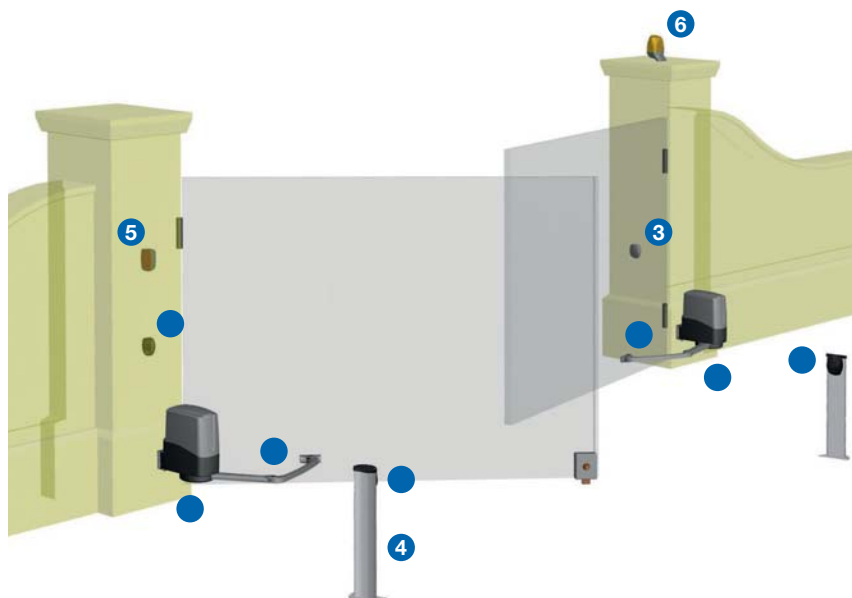
TECHNICAL INFO	GEKO
Motor power supply (V)	24 DC
Maximum power absorption (W)	80
Max thrust (N)	180
Duty cycle (cycles/hours)	20
N. max cycles in 24h.	60
Operating temperature (°C)	-20 ÷ 50
90° Opening time (s)	16
Weight with packing (Kg)	12
Protection degree	IP44

GUIDE TO USE

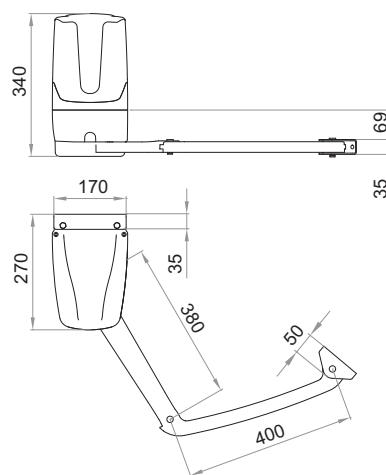




EXAMPLE OF A TYPICAL INSTALLATION



DIMENSIONS



1 Cod. 628010
Art. GEKO/2
Electromechanical operator for swing gates

2 Cod. 629260
Art. GEKO/BA
Aluminium articulated arm

3 Cod. 662030
Art. 104LUX
Pair of adjustable (15°) surface mounted photocells

4 Cod. 664000
Art. PILLY/60
Pair of aluminium columns for photocells, height 55 cm.

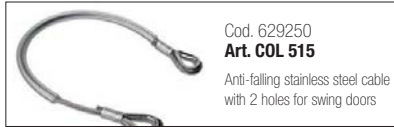
5 Cod. 663030
Art. 102LUX
Keyswitch with two contacts, flush mounted. Supplied with 2 keys.

6 Cod. 661082
Art. LED24AI
Led flashing light 24V with built-in antenna 433Mhz

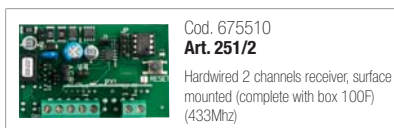
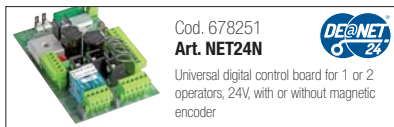
Cod. 672580
Art. TR2
Remote control
Black version art. TR2N also available (page 118)

Cod. 668010
Art. 127
Warning sign

SPECIFIC ACCESSORIES



OTHER ACCESSORIES



GEKO

DEA

SWING GATES