

LATO

Automations for industrial sectional doors
up to 35m²





Quick installation thanks to the integrated control board

Models available with or without integrated control board

With or without chain for manual emergency release

Available in 230V AC ou 400V AC



NETLINK OPERATOR
This operator is compatible with the NETLINK System and can be programmed with DEAINstaller and NET-COM

(Only versions with NET230N)



(only NET230N)

Compatible with the Apps
DEAinstaller and DEAsuser



230V ~ operators with control board, limit switches and encoder



COD.	Art.				OTHER CHARACTERISTICS
637050	LATO220NET		NET230N	For shaft Ø 25,4mm	<ul style="list-style-type: none"> • Limit switches • Anti-crashing safety device • Magnetic encoder with 6m long cable • Integrated receiver and courtesy light • Unlocking device by cable
637051	LATO220NET/C*		NET230N	For shaft Ø 25,4mm	<ul style="list-style-type: none"> • Limit switches • Anti-crashing safety device • Magnetic encoder with 6m long cable • Integrated receiver and courtesy light • Unlocking device by cable • Emergency manual manouvre by chain

All models: 1 side fixing plate art. LE included
For models LATO220NET:Control board NET230N included

Without control board

COD.	Art.				OTHER CHARACTERISTICS
637001	LATO220EN		✓	For shaft Ø 25,4mm	<ul style="list-style-type: none"> • Limit switches • Magnetic encoder with 6m long cable • Unlocking device by cable
637011	LATO220CEN*		✓	For shaft Ø 25,4mm	<ul style="list-style-type: none"> • Limit switches • Magnetic encoder with 6m long cable • Unlocking device by cable • Emergency manual manouvre by chain

Control board to complete the installation: control board cod. 677610 art. NET230N/C (with box)
All models: 1 side fixing plate art. LE included

400V AC operators without control board, with limit switches and encoder

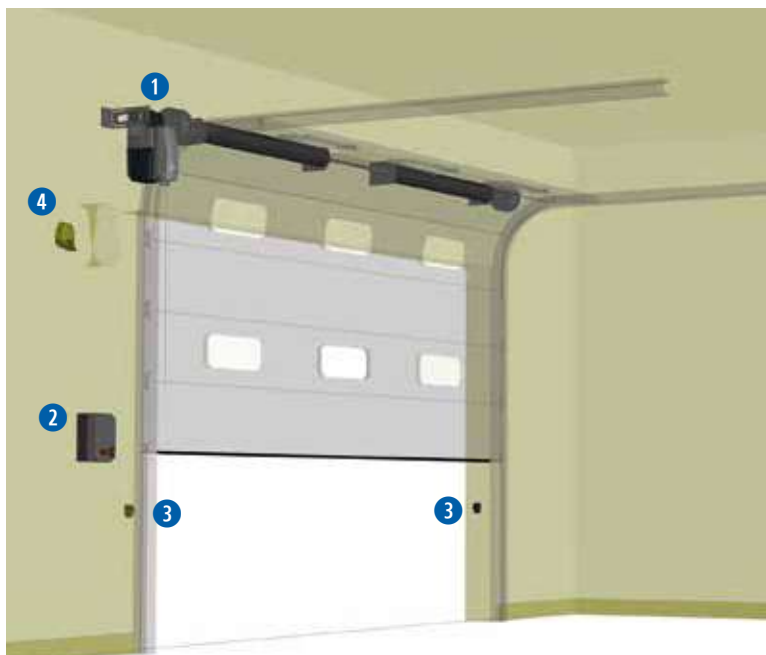


COD.	Art.				OTHER CHARACTERISTICS
637031	LATO400EN		✓	For shaft Ø 25,4mm	<ul style="list-style-type: none"> • ATTENTION: NOT COMPATIBLE WITH NETLINK • Unlocking device by cable • Magnetic encoder with 6m long cable
637041	LATO400CEN*		✓	For shaft Ø 25,4mm	<ul style="list-style-type: none"> • ATTENTION: NOT COMPATIBLE WITH NETLINK • Emergency manual manouvre by chain • Magnetic encoder with 6m long cable

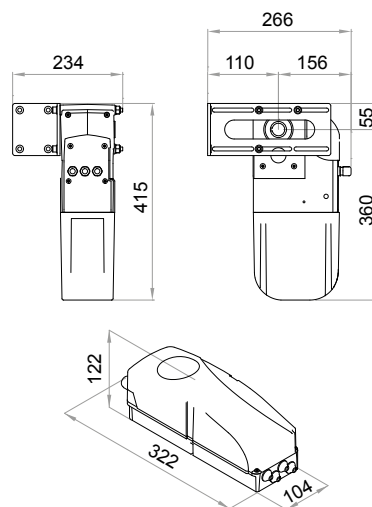
*Complete with unlocking device by chain (L useful=3,5m)
Control board to complete the installation: control board cod. 677140 art. 400RR/C (with box)
All models: 1 side fixing plate art. LE included

TECHNICAL INFO	220NET - 220/EN - 220/CEN - 220NET/C	400EN - 400CEN
Motor power supply (V)	230V ~ ± 10 % (50/60 Hz)	400V AC ± 10 % (50/60 Hz)
Maximum power absorption (W)	500	900
Max torque (Nm)	62	104
Duty cycle (cycles/hours)	14	35
N. max cycles in 24h.	180	240
Built-in capacitor (µF)	18	/
Operating temperature (°C)	-20 ÷ 40	
Motor thermal protection (°C)	150	140
Output shaft speed (rpm)	22,4	
Weight with packing (Kg)	12	13
Sound pressure (dBA)	< 70	
Protection level	IP40 (IP10 models 220/CEN - 220NET/C)	IP40 (IP10 model 400/CEN)

EXAMPLE OF A TYPICAL INSTALLATION



DIMENSIONS



1 COD. 637011
Art. LATO220/CEN
Operator for industrial sectional doors with chain for manual manoeuvre

2 COD. 677610
Art. NET230N/C
Universal digital control board for 1 or 2 operators, 230V with or without magnetic encoder (with box)

2 COD. 679180
Art. 100GP
Buttons wired cover

3 COD. 662044
Art. LINEAR
Pair of adjustable photocells (180°) with possibility of synchronized operating. Range 20m

4 COD. 661063
Art. AURA230
230V flashing light, LED, with integrated antenna, 433 MHz

COD. 668010
Art. 127
Warning sign

SPECIFIC ACCESSORIES



COD. 639430
Art. LAC19
Pinion Z=19 + shaft extension



COD. 639410
Art. L19
Pinion Z=19 + groove wedge



COD. 639010
Art. 800C/TEN
Chain tightener



COD. 639500
Art. CG
25m chain for manual manoeuvre



COD. 639030
Art. 800C/CZ38
Pinion 1/2" Z=38



COD. 639450
Art. LBA25
Adapter for shafts
Ø=25,4mm



COD. 639020
Art. 800C/F
Chain anchoring brackets



COD. 639530
Art. LATO/SF
Kit for unlocking device
(to be used with art.
LATOM or BLINDOS)



COD. 639000
Art. 800C/ACC
2 m chain and joint



COD. 639440
Art. LBA40
Adapter for shafts
Ø=40mm



COD. 639420
Art. LE
Side fixing plate (already included
in the motor)



COD. 665000
Art. BLINDOS
Aluminium safety enclosure, with
European cylinder, ready for
unlocking device by cable.