

LIVI 502

Electromechanical automations for swing gates



Swing gates



Residential and collective use



Safe and user friendly technologies

LIVI 502 is a **swing gates automation** with arm.
It is available in **230V** and **24V** versions and intended to a **residential use**.

LIVI 502 is:

- **powerful**: created for large pillars
- **robust and reliable**: materials used all of the highest quality
- **silent**: thanks to its internal precision mechanics
- **safe and practical**: in case of power failure, the motor is equipped with a personalized releasing key compatible with BLINDOS device, for the unlocking of the gate from the outside

LIVI 502 is **solid and reliable**, allows a **compact installation** by rotating the position of the motor thanks to the vertical support base (optional).

The use of the **DE@NET** technology guarantees **maximum safety** and **compliance to European standards** in the field of impact forces, for the **230V** version, thanks to the presence of the **encoder**.



in compliance with EN12453 and EN12445 standards in the field of impact forces



3 years warranty on motors and control boards



Reinforced aluminium arm

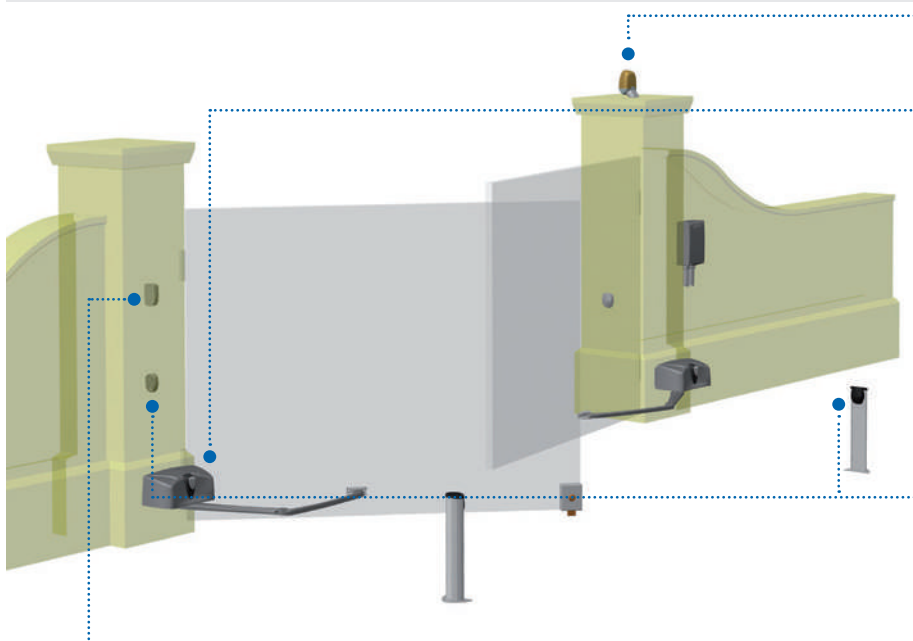


Emergency unlocking device with personalized key



Internal mechanics in steel with ball bearings

Example of typical installation



LIVI502 motor



AURA flashing light



LINEAR/XS photocells



GT-KEY key selector

Suggested accessories



AURA



LINEAR/XS



GT2M - GT4M



DIGIRAD



BLINDOS



PILLY

> learn more on deasystem.com



DEAuser

DEAuser is the app dedicated to private user which enables checks on the installation through smartphone (nearby the automation).

Did you forget either the code of the keypad or the key selector? No problem! Your smartphone becomes the tool to open all your doors!



More **practicality**:
your smartphone
opens all doors!

> Opening without code or key
(Nearby the automation)



NET-NODE



The **DEAuser** app is usable thanks to the **NET-NODE** wireless device put either inside the motor or on the control panel (depending on the automation model). This means:

- **NO DEVICE TO BE ADDED OUTSIDE YOUR HOUSE:**
there is no need to carry out works of masonry at the entrance, no holes and no wiring
- **SAFETY AND PROTECTION AGAINST VANDALISM:**
unlike of the wired devices, with NET-NODE there is no possibility to be tampered